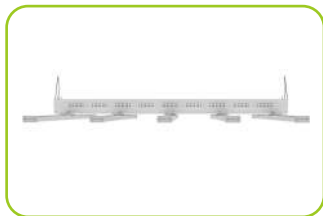
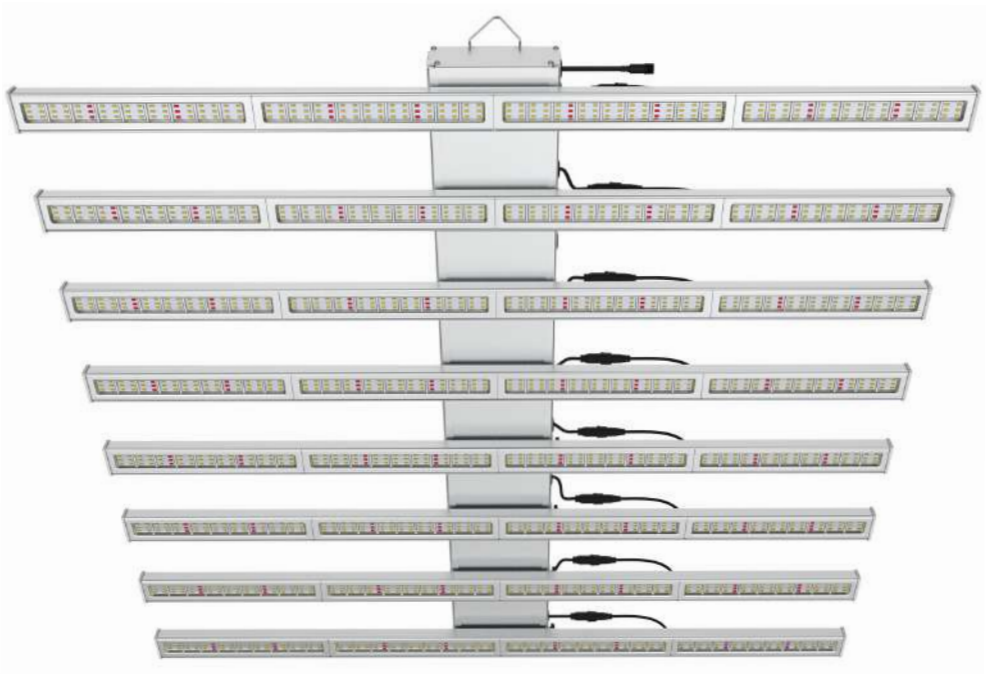
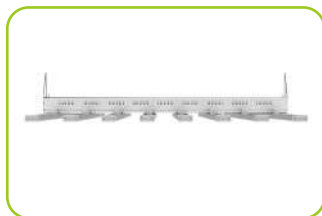


Instruction Manual

LED GROW LIGHT



5 bars 400watt



8 bars 640watt



10 bars 800watt

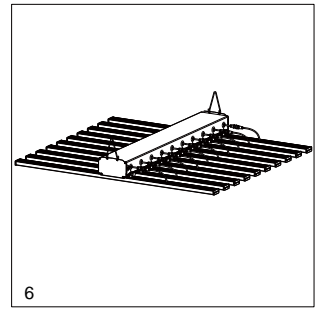
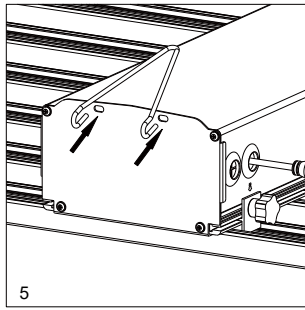
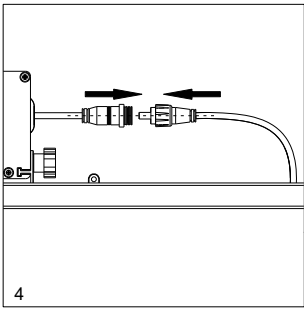
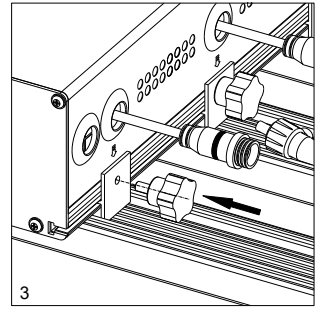
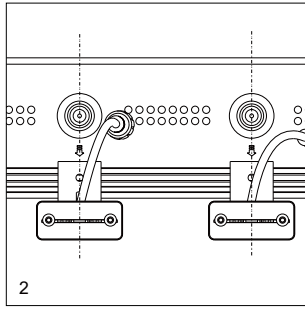
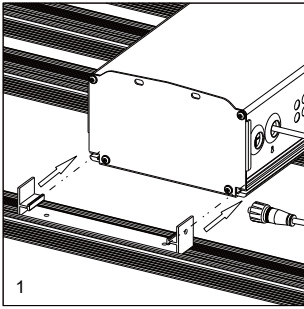
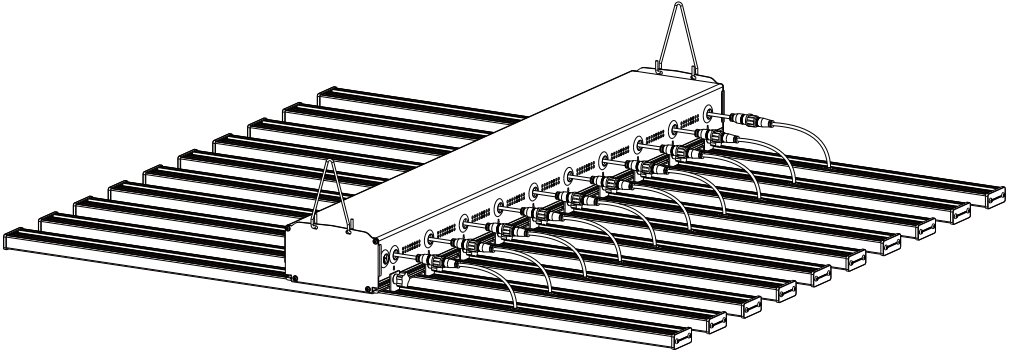
Specification

LED grow bars:	Grow 10 strips	Grow 8 strips	Grow 5 strips
Power :	800w±5%	640±5%	400w±5%
Input Voltage :	100-277v/50-60HZ	100-277v/50-60HZ	100-277v/50-60HZ
Spectrum :	Full Spectrum	Full Spectrum	Full Spectrum
Fixture Dimensions :	47x42x4.5 inch	47x42x4.5 inch	47x42x4.5 inch
	(1200x1071x113.6mm)	(1200x1071x113.6mm)	(1200x1071x113.6mm)
Net Weight:	25kg	20KG	15kg
Light Distributions :	120degree	120degree	120degree
Lifespan :	50000 hours	50000hours	50000hours
Warranty :	5 years warranty	5 years warranty	5 years warranty

Note

1. Make sure the power off before install the fixture.
2. Make sure the input valtage is 100v-277v.
3. Screws and wire sling hooks must be locked tightly.
4. Pick up be careful.
5. Use for indoor grow.





Problem and Solution

Problem 1: The LED grow light fixture can not turn on.

Solution: Make sure it's right voltage(AC100v-277v) and power on.

Problem 2: The LED light bar is not work.

Solution: Change with a new LED light bar, if the new bar is work, then ok.

If the new bar don't work, then open the LED driver box to change with a new LED driver.

Problem 3: The LED chip is dead on the LED light bar.

Solution: Change a new LED light bar.