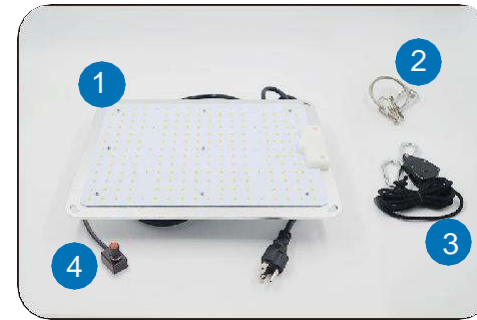


# Granture Quantum Board Panel

Product Installation Instruction

## Preparation

- 1- LED Quantum Board
- 2- Hanging Kits with Carabiner
- 3- Adjustable Rope Hanger
- 4- Dimmer (option)



## Installation

- 1 Attach the 4 clips on the wire hangers onto corresponding 4 holes on the edge of the panel.



- 2 Clip the carabiner onto adjustable rope hanger. Hang up the light onto the grow tent and then adjust an appropriate height.



- 3 Adjust the output power with the Dimmer



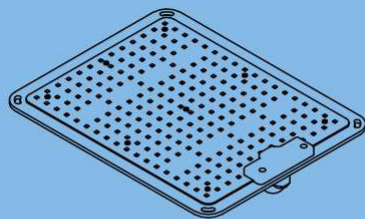
## Warning



This symbol indicates that the aluminium board can reach very high temperatures (>65 °Celsius / >149 °Fahrenheit).

Observe a cool down period before performing maintenance.

1. Do not touch the LED when the light is on, To avoid scalding.
2. The ambient temperature shall not exceed 35 degrees Celsius.
3. Pay attention to prevent short circuit and overload.
4. Do not place heat insulation articles on light.
5. Please pay attention to ventilation and heat dissipation when using indoors.



### WARNING

Turn off and disconnect power before installation. Must be installed by a qualified electrician in accordance with national, local electrical, construction codes and regulations.

### WARNING

- DO NOT connect to live power until installation is complete
- DO NOT attempt to install or use until you read and understand the installation instruction and safety labels
- DO NOT modify or alter the product; Or warranty will be invalid.

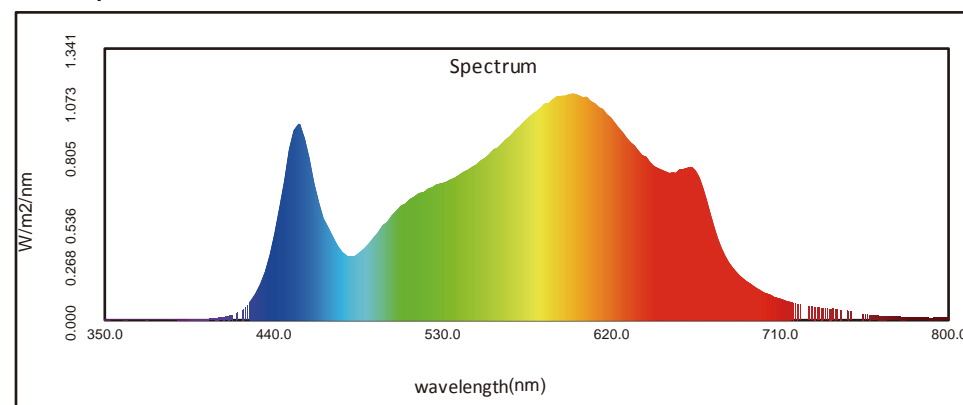


FC CE

## Parameter

Model	GTPanel-110	GTPanel-220	GTPanel-450	GTPanel-600
Input Power	110 ±5% W	220 ±5% W	450 ±5% W	600 ±5% W
PPF	300 ±5% μmol/s	600 ±5% μmol/s	1240 ±5% μmol/s	1650 ±5% μmol/s
Efficacy	2.7 μ mol/J	2.7 μ mol/J	2.7 μ mol/J	2.7 μ mol/J
input voltage	100-305V AC	100-305V AC	100-305V AC	100-305V AC
Weight	1.72kg   3.8lbs	3.25kg   7.1lbs	6.22kg   13.7lbs	9.5kg   20.9lbs
Light Distribution	120 °	120 °	120 °	120 °
Certifications	IP65	IP65	IP65	IP65
Power Factor	≥ 0.98	≥ 0.98	≥ 0.98	≥ 0.98
Lifetime L90	> 54,000hrs	> 54,000hrs	> 54,000hrs	> 54,000hrs
Warranty	3 Year	3 Year	3 Year	3 Year

### Full spectrum



### Advice for growth

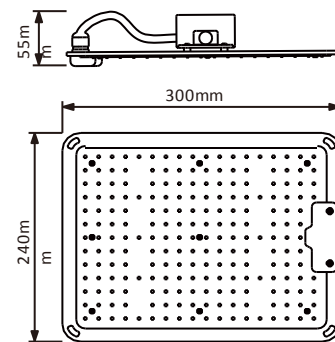
1. Photosynthesis rate and transpiration rate are directly affected by temperature, humidity and airflow.
2. Humidity between 75-85%, humidity is between 50% and 70%, there is plenty of air flow, replenish carbon dioxide. pH value is 6-6.5. You can add more calcium and magnesium than you normally need.

## Dimensions

Model:GTPanel-110

Package size:30 cm L x 24 cm W x 5.5 cm H

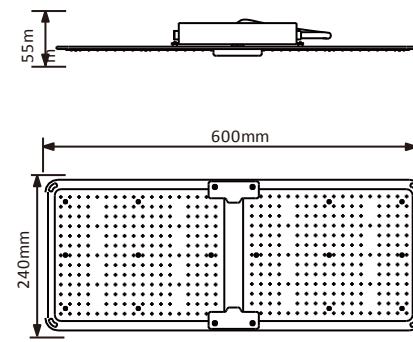
Carton Size:36.8cm L x 29.7 cm W x 8.7 cm H



Model:GTPanel-220

Package size:60 cm L x 24 cm W x 5.5 cm H

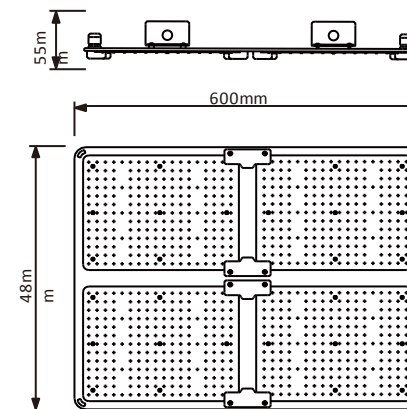
Carton Size:67cm L\*28.9cm W\*8.7cm H



Model:GTPanel-450

Package size:60 cm L x 48 cm W x 5.5 cm H

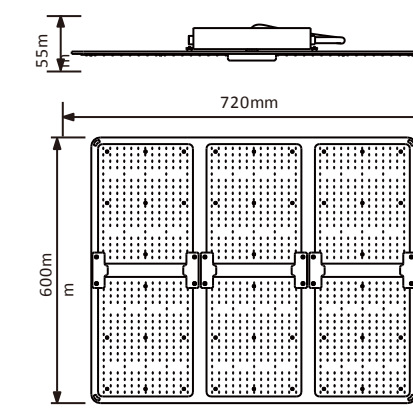
Carton Size:67cm L\*52.9cm W\*8.7cm H



Model:GTPanel-600

Package size:72 cm L x 60cm W x 5.5 cm H

Carton Size:72cm L\*65cm W\*10cm H



The symbol on the material, accessories or packaging indicates that this product may not be discarded as household waste. By disposing of the equipment in the proper way, you will be helping to prevent possible risks to the environment and public health, which might otherwise be caused by improper handling of the discarded equipment. Recycling of materials contributes to the conservation of natural resources. Therefore, please do not dispose of your old electronics and electrical appliances via household waste.